

TRIPLE-BALANCED MIXER

CONNECTORIZED MODEL: CMK-3500

WIDE BANDWIDTH

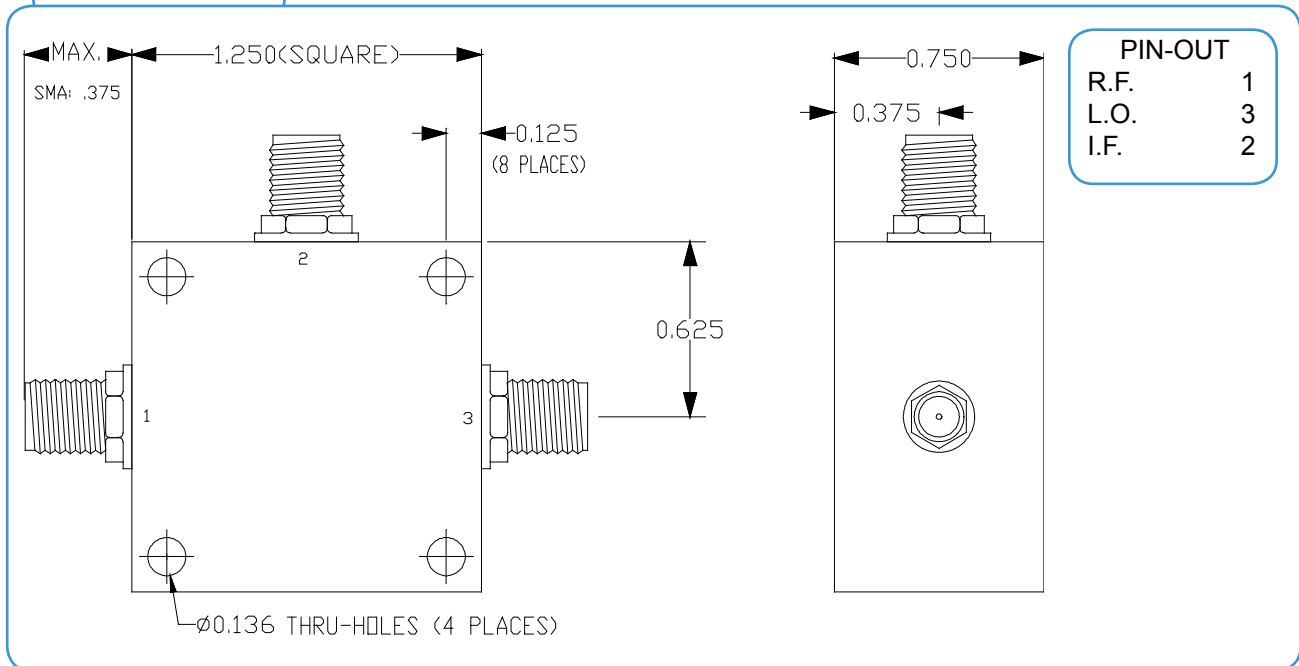
1 - 3500 MHz

SPECIFICATIONS: (Rev. B 02/22/07)

| | | | |
|-----------------------------|------------------------|--|----------------|
| Operating Frequency: | LO / RF: 10 - 3500 MHz | Conversion Loss (dB): (Typ/Max) | 7.8 / 8.7 |
| | IF: 1 - 2000 MHz | LO Power: | +17 dBm(Nom) |
| Isolation (dB): | (Typ/Min) | Input IP3 (dBm): (Typ/Min) | +28 / +23 |
| LO/RF | 35/25 | 1 dB Compression Point: | +14 dBm (Typ) |
| LO/IF | 30/20 | Impedance: | 50 Ohms (Nom) |
| RF/IF | 25/20 | Operating Temperature Range: | -55°C to +85°C |



MECHANICAL OUTLINE: 110



TRIPLE-BALANCED MIXER

CONNECTORIZED MODEL: CMK-3500

WIDE BANDWIDTH

1 - 3500 MHz

PERFORMANCE PLOTS

